



Engine	Shanghai SC7H210.1G2
Rated Power	155 kW (208 hp / 211 ps) @ 2,000 rpm
Nominal Amplitude Range	2.0 / 1.3 mm
Vibration Frequency Range	28 / 32 Hz
Centrifugal Force Range	380 / 320 kN
Working Width	2,130 mm
Operating Mass	20,000 kg

6120E ROLLER

6120E SPECIFICATIONS >>>

ENGINE	
Emission Regulation	Tier 2 / Stage II
Manufacturer	Shangchai
Model	SC7H210.1G2
Rated Power	155 kW (208 hp / 211 ps) @ 2,000 rpm
Peak Torque	937 N·m
Number of Cylinders	6
Aspiration	Turbocharged
Cooling Type	Water

ELECTRICAL SYSTEM	
System Voltage	24 V

DRIVE TRAIN	
Theoretical Gradeability	30 %
Transmission Type	Mechanical
1st Maximum Speed, Fwd	2.7 km/h
2nd Maximum Speed, Fwd	5.2 km/h
3rd Maximum Speed, Fwd	11 km/h
Min. Outside Turning Radius	7,000 mm

STEERING	
Steering System	Hydraulic
Steering Method	Articulation
Steering Angle	± 35°
Steering Relief Pressure	16 MPa

BRAKES	
Service Brake Type	Caliper dry disc
Service Brake Actuation	Air over hydraulic
Parking Brake Actuation	Mechanical brake

OPTIONAL EQUIPMENT	
Padfoot Drum Segment Kit (PDH)	

TIRES	
Tire Size	23.5-25-16PR
Tire Pressure	300-330 kPa

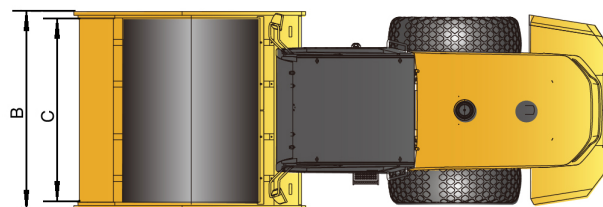
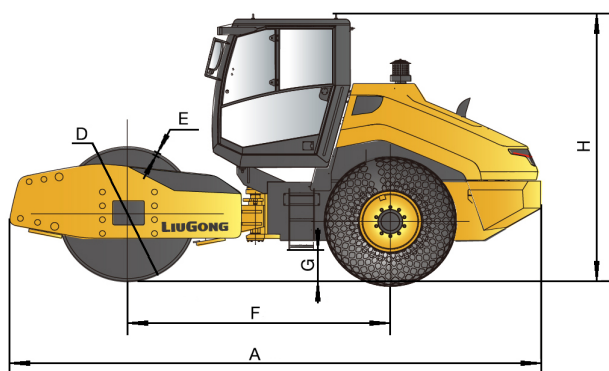
HYDRAULIC SYSTEM	
Main Pump Type	Piston Pump
Main Relief Pressure	35 MPa

PERFORMANCE	
Static Linear Front Drum Load	469 N/cm
Number of Vibrating Drums	1
Nominal Amplitude Range	2.0 / 1.3 mm
Vibration Frequency Range	28 / 32 Hz
Centrifugal Force Range	380 / 320 kN
Number of Amplitude Settings	2

OPERATING MASS	
Operating Mass with Ballast	20,000 kg
Mass on Vibrating Drum	10,000 kg
Mass on Drive Axle	10,000 kg

SERVICE CAPACITIES	
Fuel Tank	285 L
Engine Oil	20 L
Hydraulic Oil Tank	120 L
Cooling System	32 L

DIMENSIONS	
A Overall Length	6,680 mm
B Overall Width	2,340 mm
C Drum Width	2,130 mm
D Drum Diameter	1,600 mm
E Drum Thickness	45 mm
F Wheelbase	3,230 mm
G Min. Ground Clearance	450 mm
H Overall Height	3,150 mm



Guangxi Liugong Machinery Co., Ltd.

No. 1 Liutai Road, Liuzhou, Guangxi 545007, PR China
 T: +86 772 3886124 E: overseas@liugong.com
 www.liugong.com

Specifications and designs are subject to change without notice. Machines shown may include optional equipment. Liugong standard and optional equipment may vary from region to region. Please consult your Liugong dealer for information specific to your area. Engine power kW is converted to horsepower (1 kW=1.3596 ps and 1 kW=1.3410 hp) in this file.

11/2022 Designed by Liugong
 Replace the previous versions of 08/2022