

LIUGONG



Engine	Cummins QSM11
Rated Power	280 kW (375 hp / 381 ps) @ 2,000 rpm
Net Power	260 kW (349 hp / 354 ps) @ 2,000 rpm
Maximum Digging Depth	6,521 mm
Standard Bucket Capacity	2.6-3.2 m ³
Operating Weight	50,100 kg

952E_{HD} EXCAVATOR

TOUGH WORLD. TOUGH EQUIPMENT.

952E_{HD} SPECIFICATIONS >>>

PERFORMANCE PARAMETERS

Operating Weight	50,100 kg
Standard Bucket Capacity	2.6-3.2 m ³
Max. Travel Speed	5.6 km/h
Swing Speed	8.2 rpm
Drawbar Pull	360 kN
Bucket Digging Force (ISO)	290 kN
Arm Digging Force (ISO)	268 kN

ENGINE

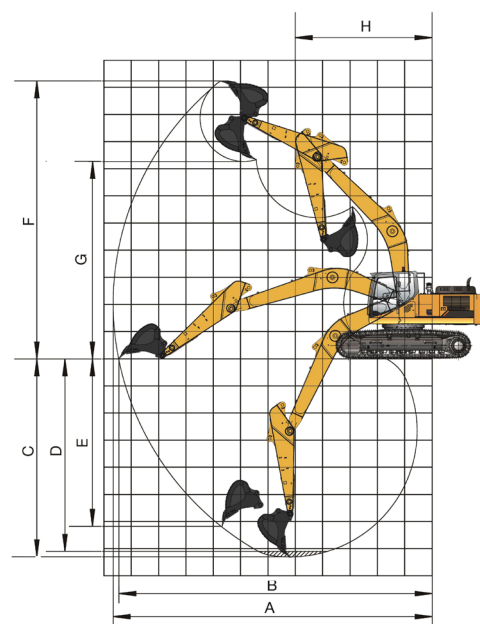
Emission Regulation	Tier 3 / Stage IIIA
Manufacturer	Cummins
Model	QSM11
Rated Power	280 kW (375 hp / 381 ps) @ 2,000 rpm
Net Power	260 kW (349 hp / 354 ps) @ 2,000 rpm
Peak Torque	1,898 N·m @ 1,400 rpm
Number of Cylinders	6
Displacement	10.8 L

HYDRAULIC SYSTEM

Main Pumps Total Flow	2 x 375 L/min
Relief Pressure, main	34.3 MPa
Relief Pressure, boost	37.2 MPa

DIMENSIONS

A Shipping Length	11,515 mm
B Shipping Height	3,810 mm
C Track Gauge	2,740 mm
D Undercarriage Width	3,340 mm
E Length to Center of Rollers	4,475 mm
F Track Length	5,500 mm
G Overall Width of Upper Structure	3,302 mm
H Tail Swing Radius	3,787 mm
I Counterweight Ground Clearance	1,324 mm
J Overall Height of Cab	3,307 mm
K Min. Ground Clearance	532 mm

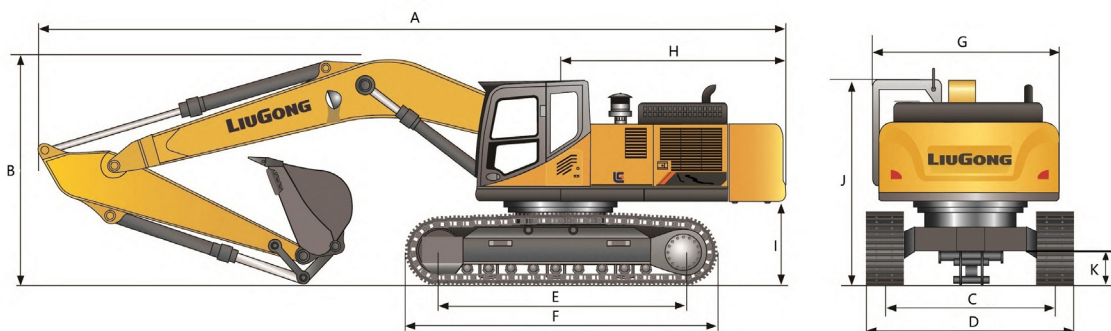


WORKING RANGE

Boom length	6,500 mm
Arm length	2,550 mm
A Max. Digging Reach	10,625 mm
B Max. Digging Reach on Ground	10,388 mm
C Max. Digging Depth	6,521 mm
D Max. Digging Depth, 2.5 m Level	6,337 mm
E Max. Vertical Wall Digging Depth	5,204 mm
F Max. Cutting Height	9,977 mm
G Max. Dumping Height	7,038 mm
H Min. Front Swing Radius	4,645 mm

SERVICE CAPACITIES

Fuel Tank	1,100 L
Engine Oil	52 L
Cooling System	72 L
Hydraulic Reservoir	360 L
Hydraulic System Total	680 L



Guangxi Liugong Machinery Co., Ltd.

No. 1 Liutai Road, Liuzhou, Guangxi 545007, PR China
T: +86 772 3886124 E: overseas@liugong.com
www.liugong.com

Specifications and designs are subject to change without notice. Machines shown may include optional equipment. Liugong standard and optional equipment may vary from region to region. Please consult your Liugong dealer for information specific to your area. Engine power kW is converted to horsepower (1 kW=1.3596 ps and 1 kW=1.3410 hp) in this file.

02/2026 Designed by LiuGong
Replace the previous versions of 12/2025