



Engine	Perkins 2806D-E18TA
Rated Power	447.5 kW (600 hp / 608 ps) @ 2,100 rpm
Net Power	446 kW (598 hp / 606 ps) @ 2,100 rpm
Maximum Dig Depth	7,185 mm
Standard Bucket Capacity	6.2 m ³
Operating Weight	98,500 kg

995F EXCAVATOR

995F SPECIFICATIONS >>>

ENGINE	
Emission Regulation	Stage IIIA
Manufacturer	Perkins
Model	2806D-E18TA
Rated Power	447.5 kW (600 hp / 608 ps) @ 2,100 rpm
Net Power	446 kW (598 hp / 606 ps) @ 2,100 rpm
Peak Torque	2,742 N·m @ 1,400 rpm
Number of Cylinders	6
Displacement	18.1 L

UNDERCARRIAGE	
Shoe Width	650 mm
Number of Shoes per Side	51
Number of Upper Rollers per Side	3
Number of Bottom Rollers per Side	9

BOOM & ARM	
Boom Length	7,250 mm
Arm Length	2,925 mm

BUCKET PERFORMANCE	
Std. Bucket Heaped Capacity (Referenced)	6.2 m ³

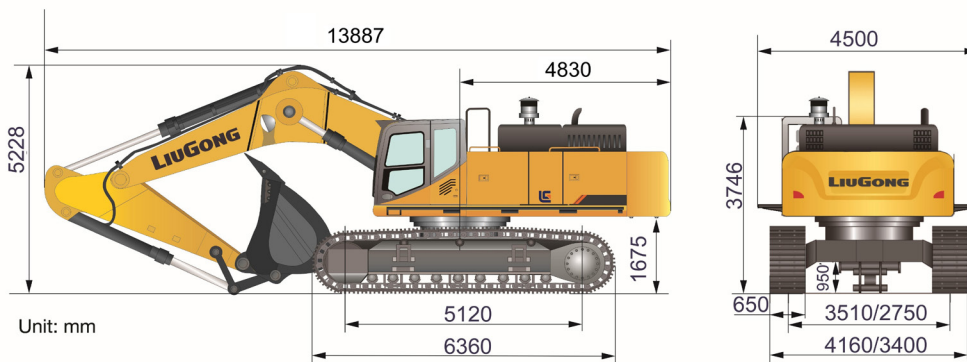
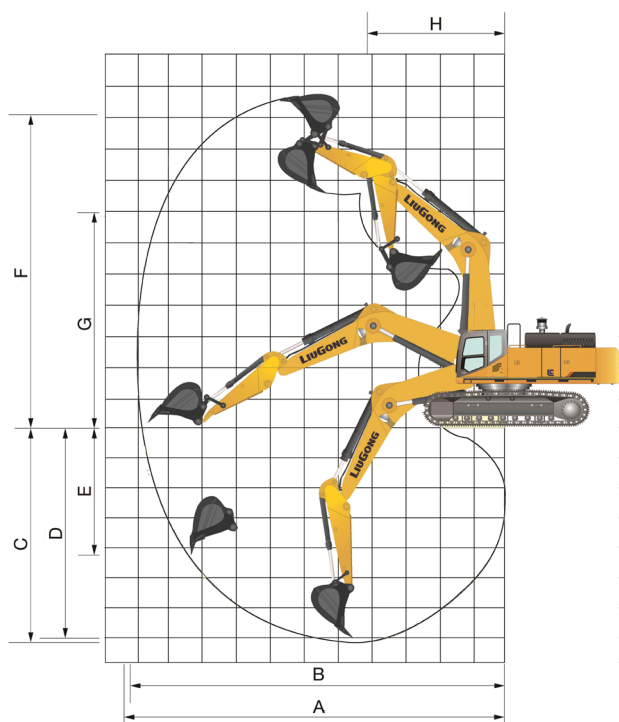
TRACK DRIVE	
Maximum Travel Speed	4.2 km/h
Drawbar Pull	650 kN

SERVICE CAPACITIES	
Fuel Tank	1,240 L
Engine Oil	64 L
Cooling System	70 L
Hydraulic Reservoir	480 L
Hydraulic System Total	960 L

HYDRAULIC SYSTEM	
Main Pumps Total Flow	2*504 L/min
Relief Pressure, main	35 MPa
Relief Pressure, boost	37.3 MPa

SWING SYSTEM	
Swing Speed	6.4 rpm

WORKING RANGE	
A. Max. Digging Reach	12,488 mm
B. Max. Digging Reach on Ground	12,172 mm
C. Max. Digging Depth	7,185 mm
D. Max. Digging Depth, 2.44 m (8') level	7,044 mm
E. Max. Vertical Wall Digging Depth	5,395 mm
F. Max. Cutting Height	12,342 mm
G. Max. Dumping Height	7,979 mm
H. Min. Front Swing Radius	5,415 mm
Bucket Digging Force (ISO) - Normal	477 kN
Bucket Digging Force (ISO) - Power Boost	508 kN
Arm Digging Force (ISO) - Normal	364 kN
Arm Digging Force (ISO) - Power Boost	388 kN



Guangxi Liugong Machinery Co., Ltd.

No. 1 Liutai Road, Liuzhou, Guangxi 545007, PR China
 T: +86 772 3886124 E: overseas@liugong.com
 www.liugong.com

12/2024 Designed by Liugong

Specifications and designs are subject to change without notice. Machines shown may include optional equipment. Liugong standard and optional equipment may vary from region to region. Please consult your Liugong dealer for information specific to your area. Engine power kW is converted to horsepower (1 kW=1.3596 ps and 1 kW=1.3410 hp) in this file.